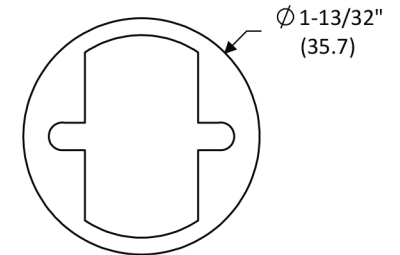
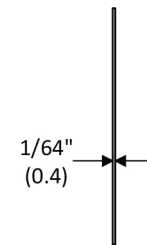
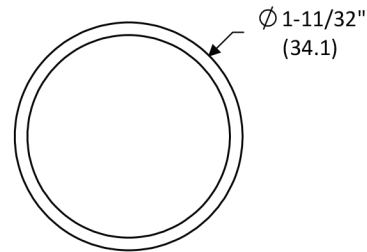
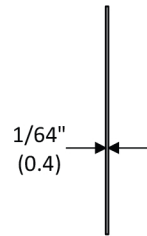
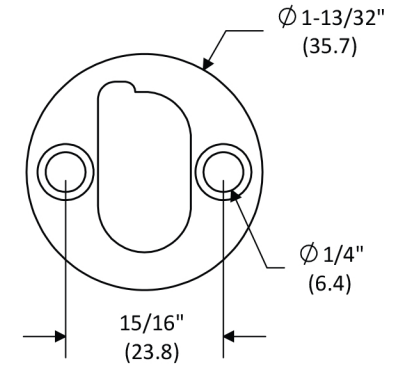
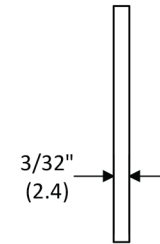
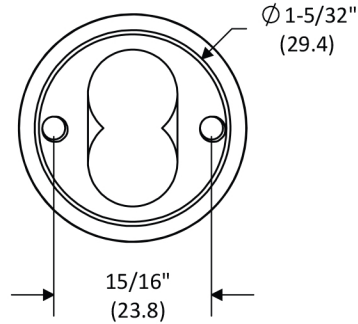
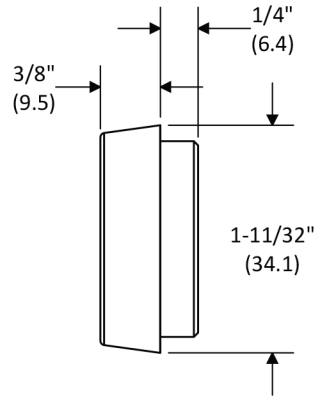
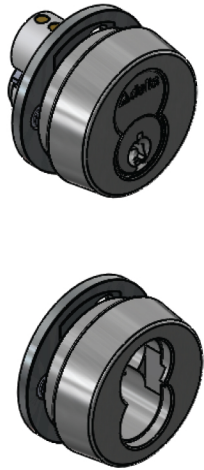


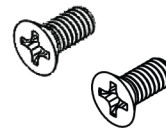
IC - Series

GI0500R000BCGL2

deltalock
* Service * Solutions * Satisfaction *



Package includes
(2x) #8 x 3/8" Screws



NOTE: Parenthesis dimensions in millimeter (mm)