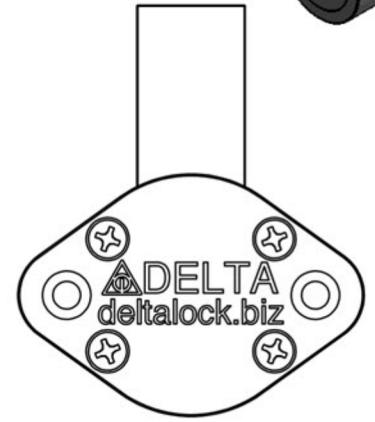
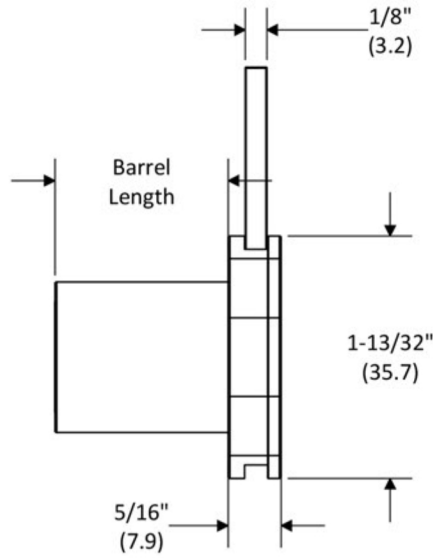
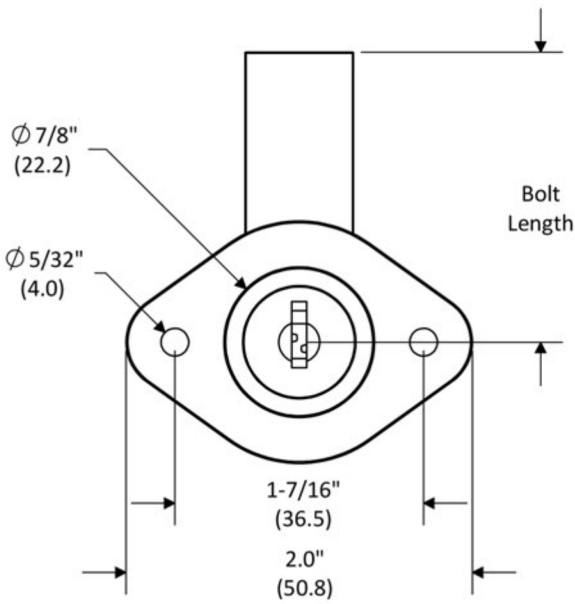
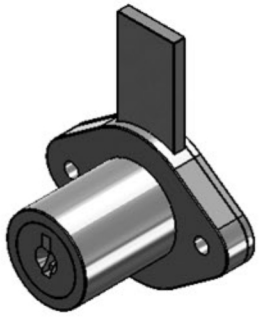


# KRC-US

## DEADBOLT (straight) DXXXXXXXXXXXXXX



Example Shown  
DR1000B375PCSM2



LOCKED



OPEN

Bolt travel is  $\sim 11/32''$  (8.7 mm).  
The A375 bolt is flush with the top of the backplate in the open/unlocked position.

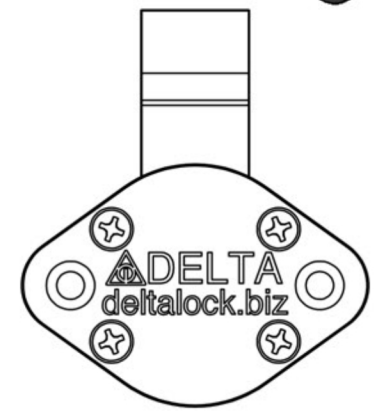
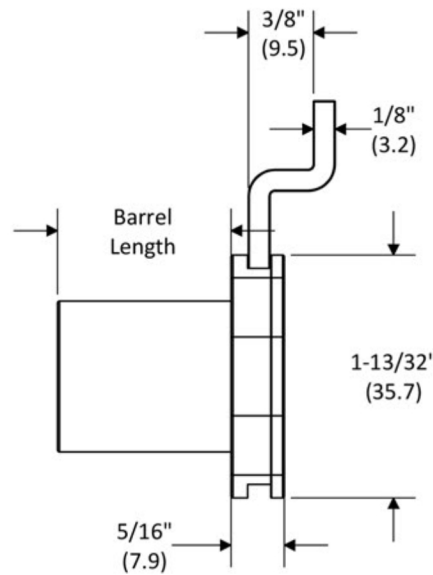
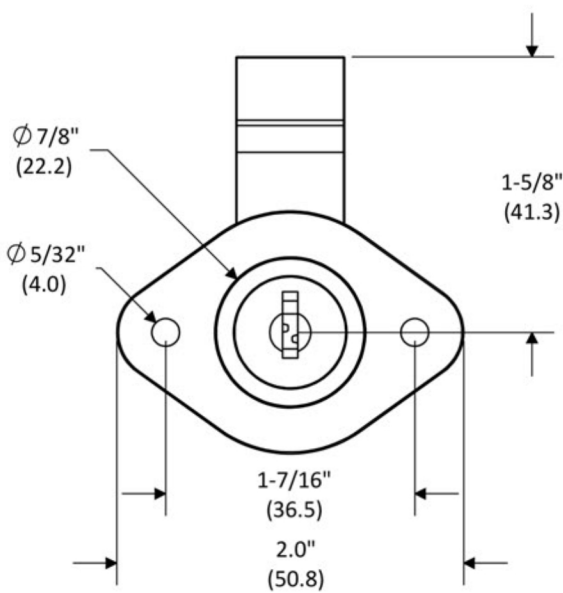
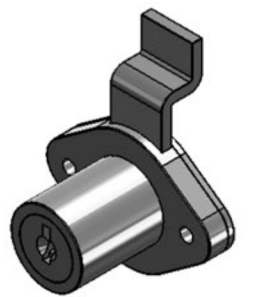


NOTE: Parenthesis dimensions in millimeter (mm)

[www.deltalock.biz](http://www.deltalock.biz) | (631) 238-7035 | [customerservice@deltalock.biz](mailto:customerservice@deltalock.biz)

# KRC-US

## DEADBOLT (offset) DXXXXXC375XXXXX



Example Shown  
DR1000C375PCSM2



LOCKED



OPEN

Bolt travel is  $\sim 11/32''$  (8.7 mm).



NOTE: Parenthesis dimensions in millimeter (mm)

[www.deltalock.biz](http://www.deltalock.biz) | (631) 238-7035 | [customerservice@deltalock.biz](mailto:customerservice@deltalock.biz)