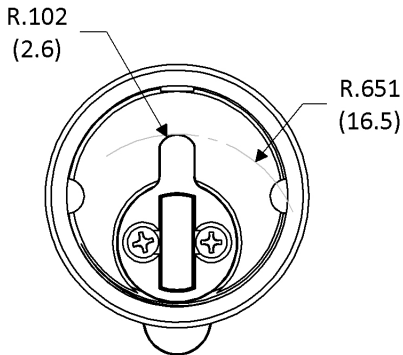
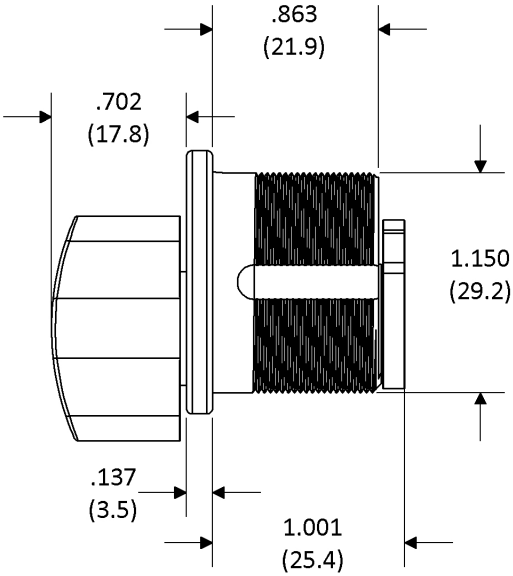
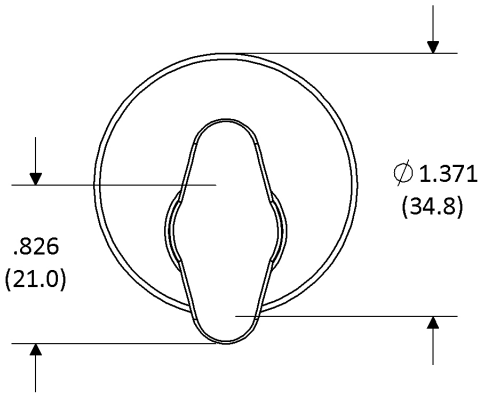
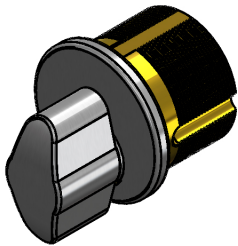
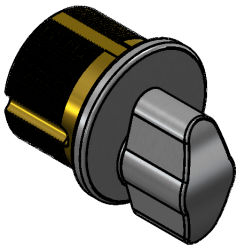


# EX1000THUMBTURN



NOTE: Parenthesis dimensions in millimeter (mm)