

IC - Series

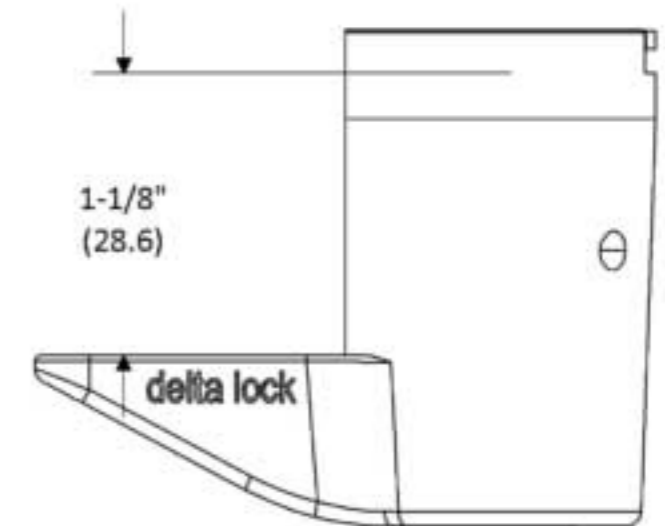
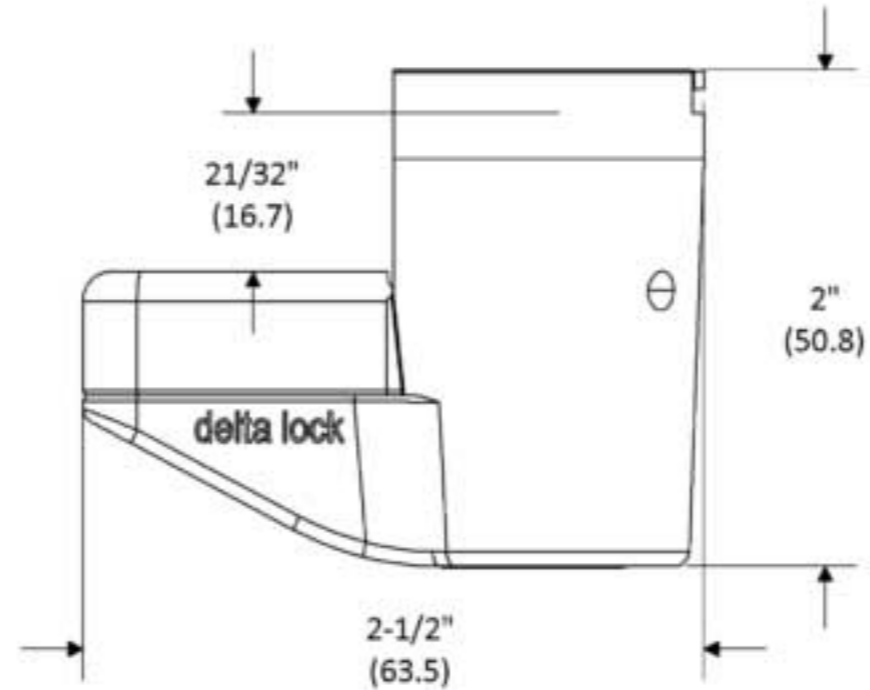
(Lock Only)



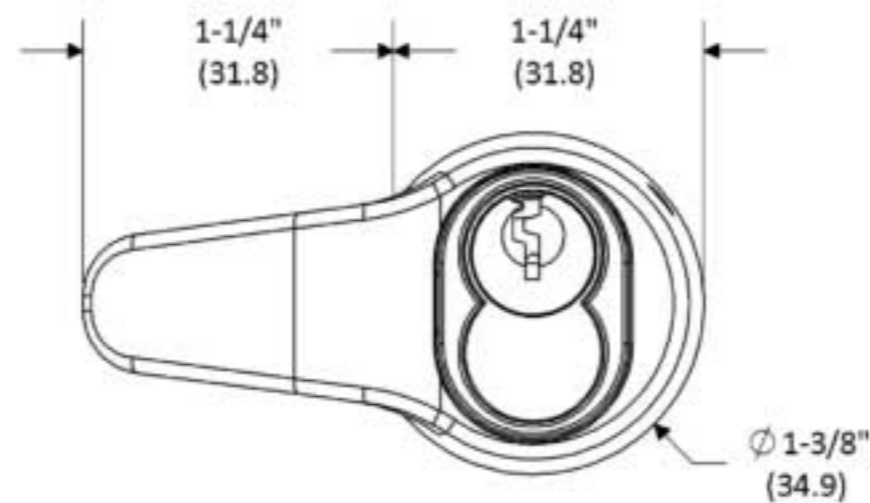
PATENT PENDING



PATENT PENDING



With adjustment bar removed.



RI1875 PLUNG HSGPC

delta lock
* Service * Solutions * Satisfaction *

NOTE: Parenthesis dimensions in millimeter (mm)